



SOLAR & LITHIUM BATTERY SOLUTIONS

Commercial Pricing Guide

The South African Energy crisis requires innovative and purpose-built power solutions. Blue Sun Energy's range of Commercial Solar & Energy Storage solutions have been designed for robust, reliable loadshedding protection, combined with the benefit of long-term energy savings.

These modular solutions offer advanced communications and performance monitoring, as well as smart-grid technology to enable active and dynamic management of essential loads. All our systems are pre-configured and assembled off-site for a quick and hassle-free installation.

Contact us today for a tailor-made assessment of your power needs.

CONTACT US

+27 (021) 424 1938

+27 (072) 824 7293

info@bluesunenergy.co.za

BLUeSUNTM
energy solutions

COMPANY PROFILE



Blue Sun Energy Solutions creates Capacity, Efficiency and Independence.

With 10 years in the Solar industry and 1000s of kW installed, we harness the best of our experience to deliver quality, long-term energy solutions.

Based in Cape Town, we provide sustainable solutions to meet the needs of a growing energy market. With a strong emphasis on both system and financial performance, our solutions are designed for your current and future power needs.

Our Services:

- Turnkey Installations
- Project Management
- System Design and Engineering
- Energy Consulting
- Service Contracts

Our Solutions:

- Solar PV: Grid-Tie & Off-Grid
- Residential Hot Water
- Commercial & Industrial Hot Water
- Micro-Grids
- Metering

Please Note:

- Prices are exclusive of VAT. Prices are subject to change without prior notice and are subject to stock availability
- Performance parameters are mathematically derived and will vary according to site conditions
- Financial parameters are calculated against City of Cape Town Small Power Use 2020/2021 electricity tariffs.
- Installation costs are quoted within 100km of Cape Town. Installation costs are subject to Site Inspection. Installation costs exclude AC Electrical works.



15kW Solar with 20kWh Lithium Battery

This package includes:

- 42x 355W Canadian Solar Panels
- 3x SMA Sunny Boy 5.0 PV Inverters
- 1x SMA Sunny Island 8.0H Battery Inverter
- SMA Sunny Home Manager 2.0
- 2x10.2kWh Revov Lithium Batteries
- Power Server & Battery Cabinet
- Smart Distribution Board
- Cables, Fuses & Parts

- Backup Supply for Single Phase only
- Battery Backup Time @ 80% DOD
 - 5kW for 3 hours
 - 15kW for 1 hour



Daily PV Production: 75 kWh
 Monthly PV Production: 2 500 kWh

System: R 312 500.00 ex. VAT
 Installation: R 38 000.00 ex. VAT

Return on Investment:	14%
Payback Period:	7 Years
Cost per kW	R23.35

15kW Solar with 20kWh Lithium Battery

This package includes:

- 42x 355W Canadian Solar Panels
- 1x SMA Sunny Tripower 15000TL PV Inverter
- 3x SMA Sunny Island 8.0H Battery Inverter
- SMA Sunny Home Manager 2.0
- 2x 10.2kWh Revov Lithium Batteries
- Power Server & Battery Cabinet
- Smart Distribution Board
- Cables, Fuses & Parts

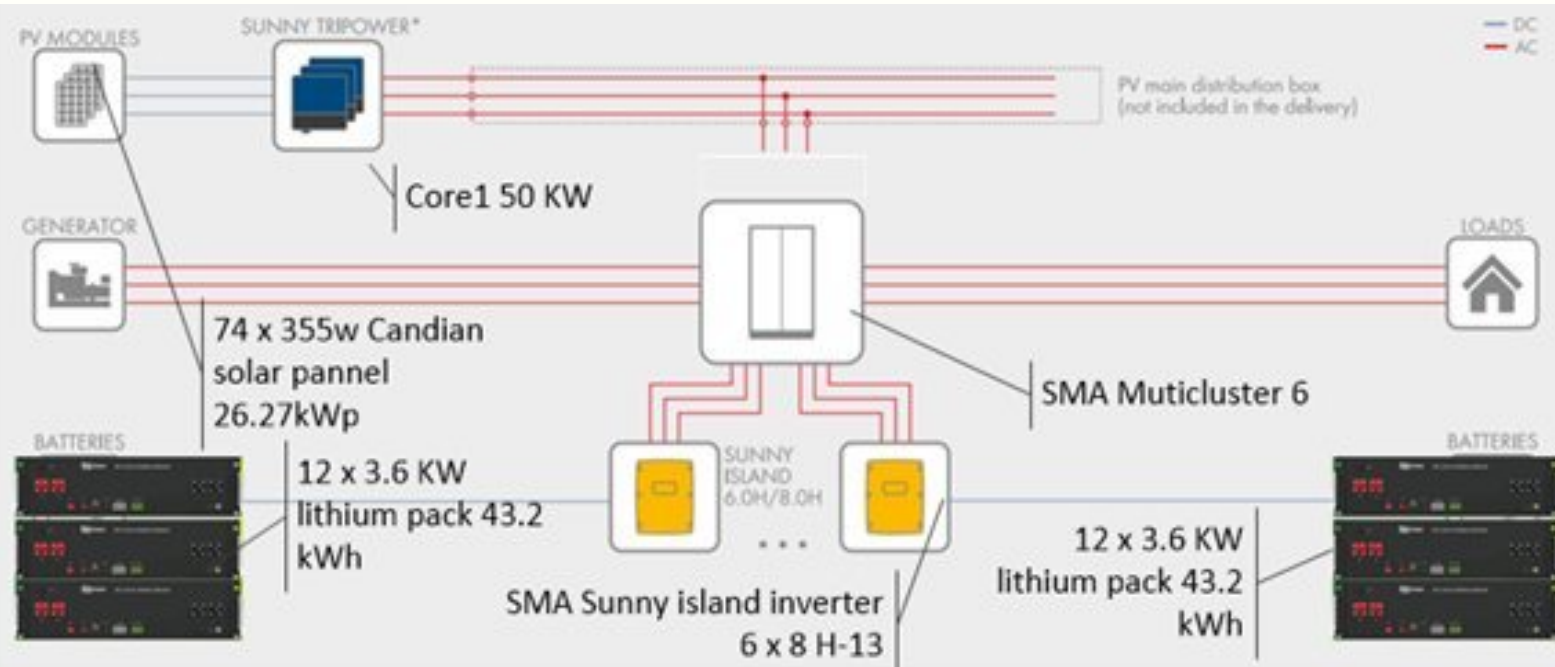
- 3-Phase Backup Power
- Battery Backup Time @ 80% DOD
 - 5kW for 3 hours
 - 15kW for 1 hour



System: R 395 500.00 ex. VAT
 Installation: R 48 000.00 ex. VAT

Return on Investment:	12%
Payback Period:	8 Years
Cost per kW	R25.79
Daily PV Production:	125 kWh
Monthly PV Production:	3750 kWh

25kW Solar with 51kWh Lithium Battery



This package includes:

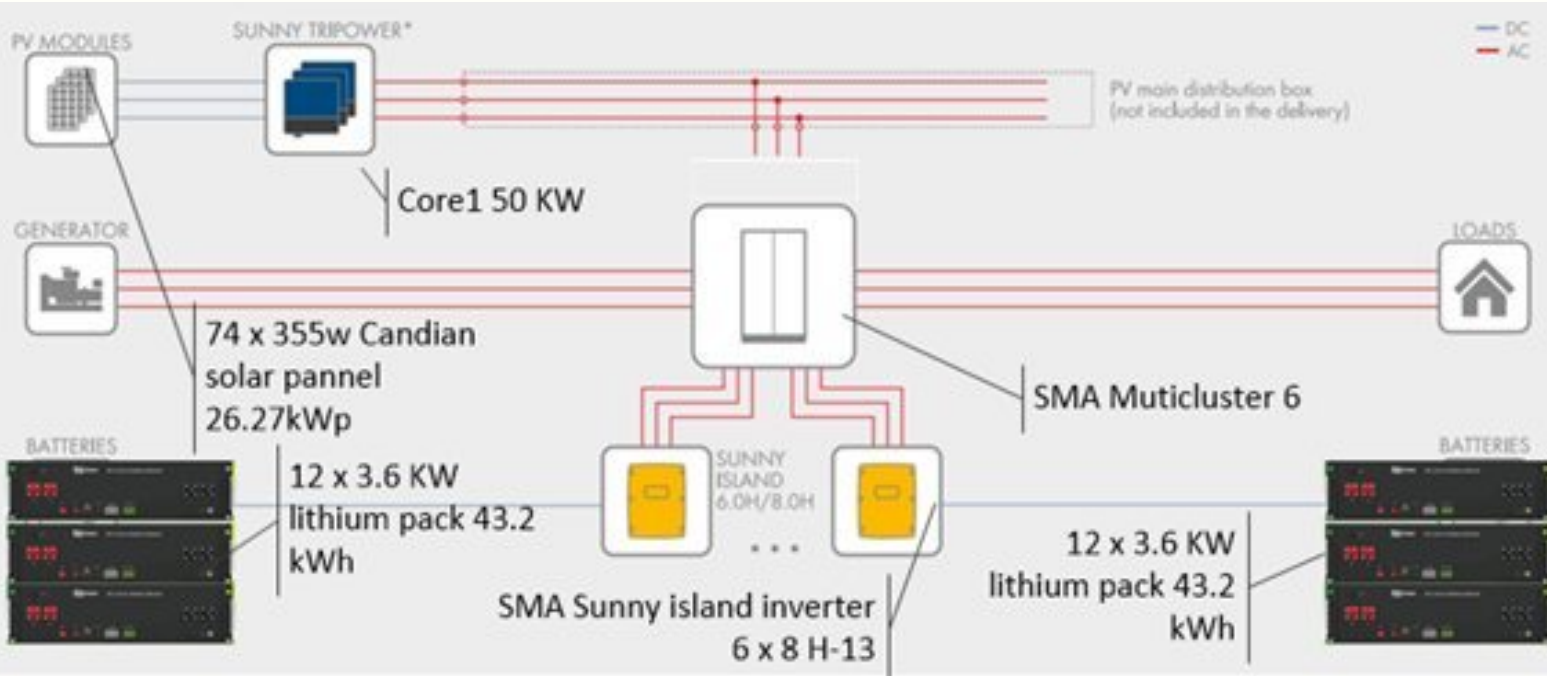
- 74x 355W Canadian Solar Panels
- Schletter Roof Frame
- 1x SMA STP 25000TL Inverter
- 3x SMA Sunny Island 8.0H Battery Inverters
- SMA Sunny Home Manager 2.0
- 5x 10.2kWh Revov Lithium Batteries (51kWh)
- 2x Power Server & Battery Cabinet
- Smart Distribution Board
- Cables, Fuses & Parts
- Battery Backup Time @ 80% DOD
 - 10kW for 4 hours
 - 25kW for 1.5 hours
- Max Battery Capacity: 54kWh



Return on Investment:	11%
Payback Period:	8 Years
Cost per kW	R25.79
Daily PV Production:	125 kWh
Monthly PV Production:	3750 kWh

System: R 549 900.00 ex. VAT
 Installation: R 94 900.00 ex. VAT

50kW Solar with 90kWh Lithium Battery



This package includes:

- 150x 355W Canadian Solar Panels
- Schletter Roof Frame
- SMA Core-I 50-40 PV Inverter
- 6x SMA Sunny Island 6.0H
- SMA Multiclust 6.3
- 9x 10.2kWh Revov Lithium Batteries (91.8kWh)
- 6x Power Server & Battery Cabinet
- Cables, Fuses & Parts
- Installation & Commissioning
- Battery Backup Time @ 80% DOD
 - 10kW for 4 hours
 - 25kW for 1.5 hours
- Max Battery Capacity: 104kWh



Return on Investment:	11%
Payback Period:	8 Years
Cost per kW	R26.30
Daily PV Production:	250 kWh
Monthly PV Production:	7500 kWh

System: R 1 179 900.00 ex. VAT
 Installation: R 154 900.00 ex. VAT



100kW Solar with 130kWh Lithium Battery



This system includes:

- 290x 355W Canadian Solar Panels
- Schletter Roof Frame
- 2x SMA Core-I 50-40 PV Inverter
- 6x SMA Sunny Island 6.0H
- SMA Multicluster 12.3
- 13x 10.2kWh Revov Lithium Batteries (132.6kWh)
- 8x Power Servers, or, 20 foot Power Container (optional)
- Cables, Fuses & Parts
- Installation & Commissioning

- Battery Backup Time @ 80% DOD
 - 50kW for 2 hours
 - 100kW for 1 hour
- Max Battery Capacity: 172kWh



Return on Investment:	13%
Payback Period:	7 Years
Cost per kW	R22.65
Daily PV Production:	500 kWh
Monthly PV Production:	15000 kWh

System: R 1 909 900.00 ex. VAT
Installation: R 354 900.00 ex. VAT

BLUE SUN POWER MANAGEMENT

The Blue Sun Power Server

Compact. Innovative. Robust.

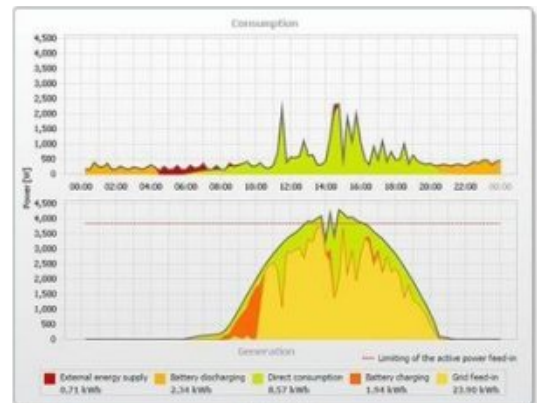
Our engineered response to power management concerns in South Africa. This innovative solution is designed for capacity, independence and efficient installations.



- Pre-Configured, Assembled & Tested Off-Site
- Reduced Installation Times
- Neat, simple and compact installations
- Enclosed with Black Steel Panels & Lockable Smoked Glass Door
- Built-In Server Fans to maintain ambient temperature

Live Performance Monitoring

- Enhanced Control through Integrated Online Interface
- Full Visualisation of key system metrics on all devices
- Improved troubleshooting through extensive data logging
- 24/7 Remote Monitoring of live data, including actual PV production, consumption and battery status



Dynamic Load Management

Our custom-built Smart Distribution Boards are the cornerstone of our Solutions. Designed to actively manage pre-determined essential loads, so you don't have to, the Smart DB provides:

- UPS Functionality
- Automatic Transfer
- Internal Load-shedding

PORTFOLIO OF SUCCESSFUL PROJECTS

